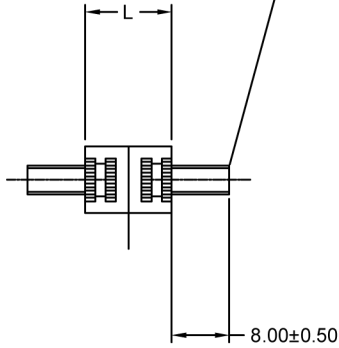
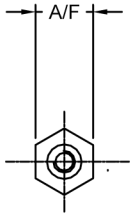


MS Hex Plate Screw 4mm  
 ( M3MM & M4MM ALSO AVAILBLE )

AVAILABLE SIZES



A/F	L	THREADING	PART CODE
8	12	M4	AEHS8412SS
8	15	M4	AEHS8415SS
8	20	M4	AEHS8420SS
8	25	M4	AEHS8425SS
8	30	M4	AEHS8430SS
8	35	M4	AEHS8435SS

A/F	L	THREADING	PART CODE
8	40	M4	AEHS8440SS
8	45	M4	AEHS8445SS
8	50	M4	AEHS8450SS
8	55	M4	AEHS8455SS
8	60	M4	AEHS8460SS
8	65	M4	AEHS8465SS
8	70	M4	AEHS8470SS
8	75	M4	AEHS8475SS
8	80	M4	AEHS8480SS
8	85	M4	AEHS8485SS

<b>ANAND Enterprises</b>		TOLERANCE UNLESS OTHERWISE STATED	±0.2 ANGLE ±0'10'
HEAT TREATMENT	N.A		UNIT MM
MATERIAL	NYLON 6 BLACK	DATE 17.8.2011	QTY.
TITLE HEX SPACERS MOLDED WITH INSERTS		DRG.NO. 053A	
		SCALE 1:1	SHEET 1 OF 1